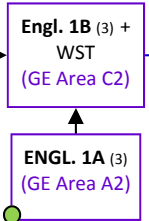
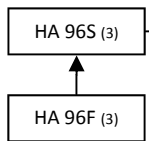
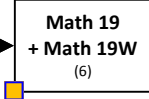
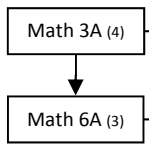


**Remedial**      **Core GE**      **Fall 2016 Catalog**      **Aerospace Engineering (120 units)**

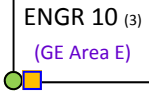
ENGLISH



ENGINEERING MATHEMATICS

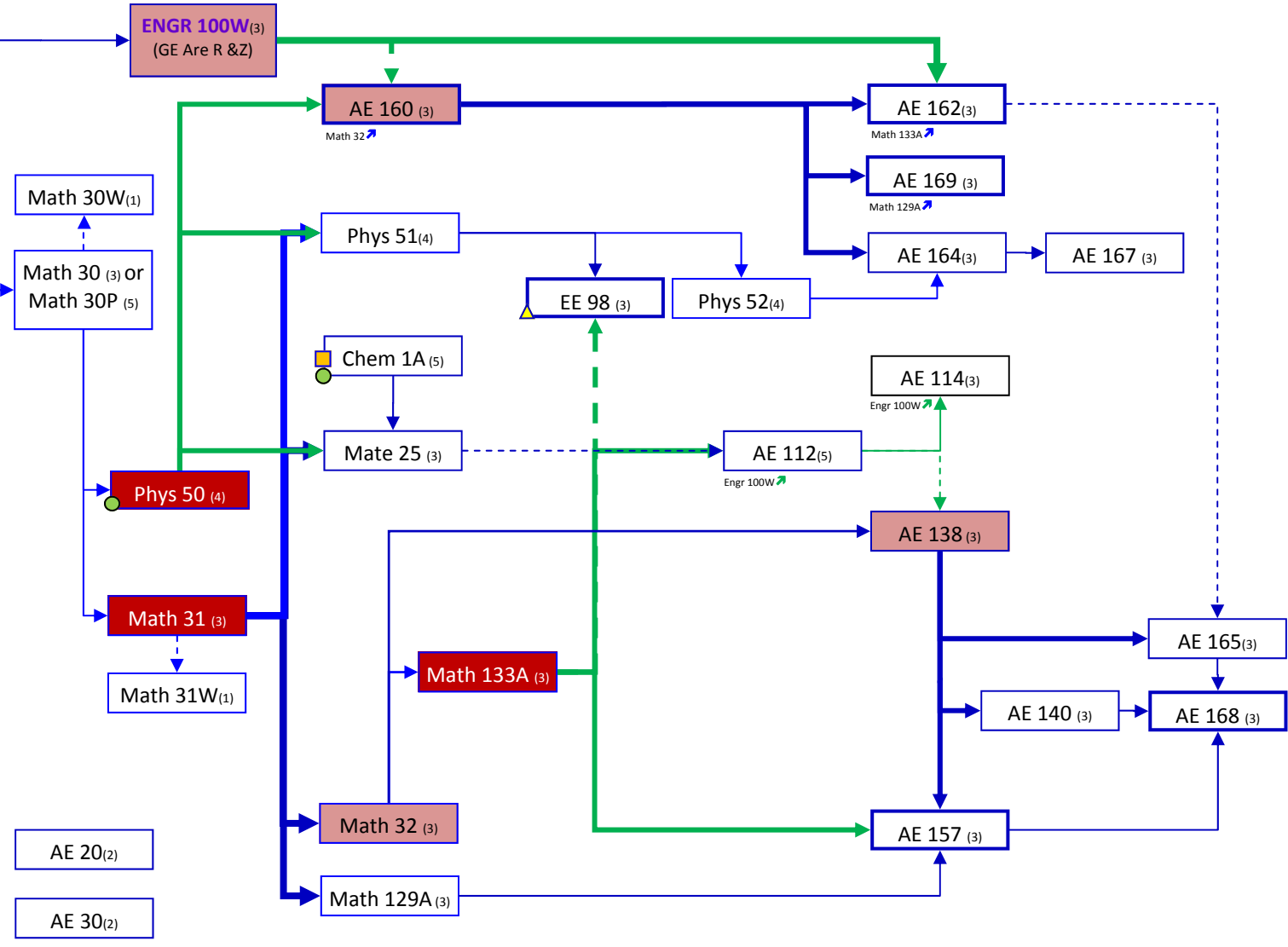


GENERAL EDUCATION



**Core GE Check List:**

- Basic Skills (9 units)**
- A1: \_\_\_\_\_ (3)
- A2: \_\_\_\_\_ (3)
- A3: \* Pending Degree \* (3)
- Humanities (9 units)**
- C1: \_\_\_\_\_ (3)
- C2: ENGL 1B (3)
- C3: \_\_\_\_\_ (3)
- Social Science (9 units)**
- D1: \_\_\_\_\_ (3)
- D2: \_\_\_\_\_ (3)
- D3: \_\_\_\_\_ (3)
- Human Dev. (9 units)**
- E: \* Engineering 10 \* (3)
- Amer. Institution (6 units)**
- US1: \_\_\_\_\_ (3)
- US2: \_\_\_\_\_ (3)
- US3: \_\_\_\_\_ (3)



- Pre-requisite
- - -> Co-requisite
- ▲ ENGR 10 Pre-Requisite
- English 1A Readiness Required
- Math 19 Readiness Required
- Generals Education**

**Additional Requirements:**

- 1) Capstone & SJSU Studies (S & V)\*:
  - Option 1:** (AE 171A+ENGR 195A) & (AE 171B + ENGR 195B) or...
  - Option 2:** (AE 172A+ENGR 195A) & (AE 172B + ENGR 195B)
- 2) Technical Elective Courses: \_\_\_\_\_ (3 units)

**ABOUT SJSU Studies Area S & V:**  
To satisfy GE areas S & V student must complete **all** course in selected capstone option.