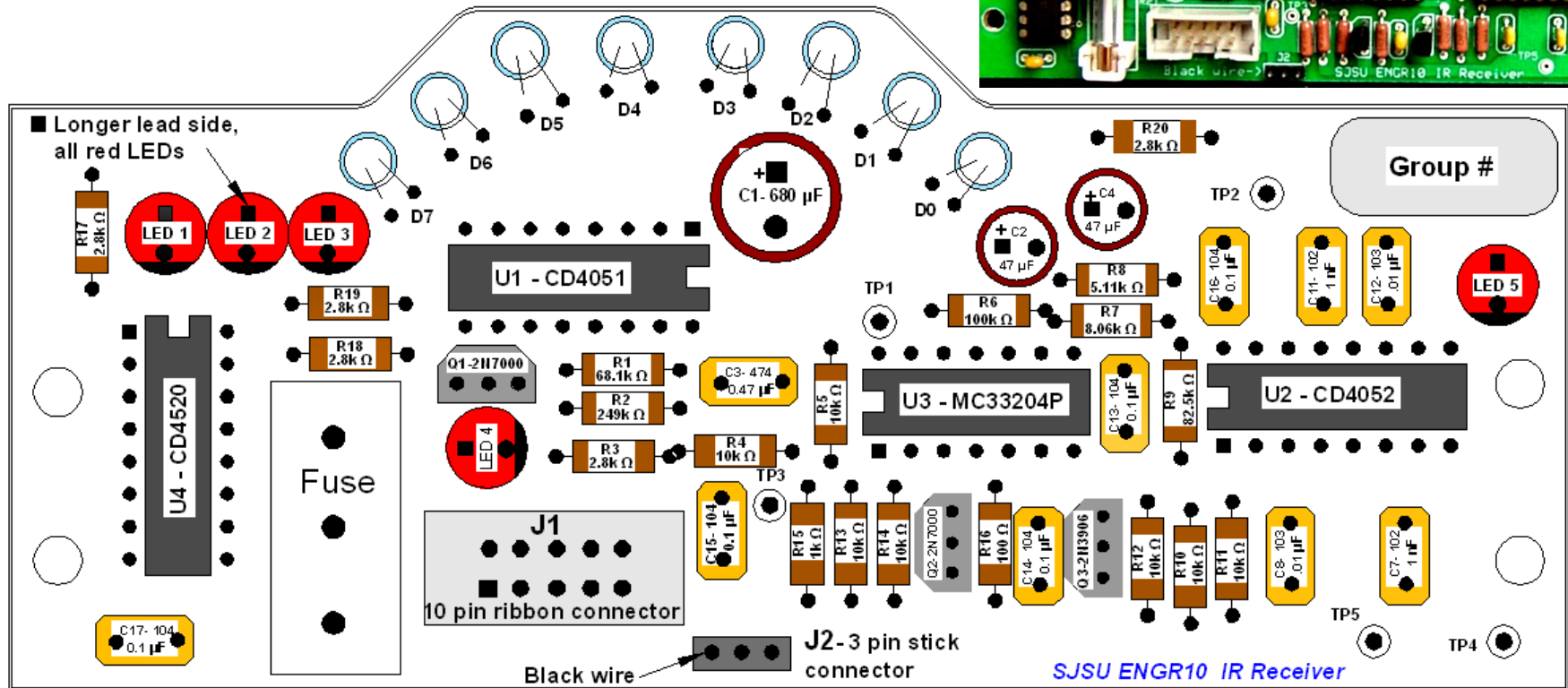
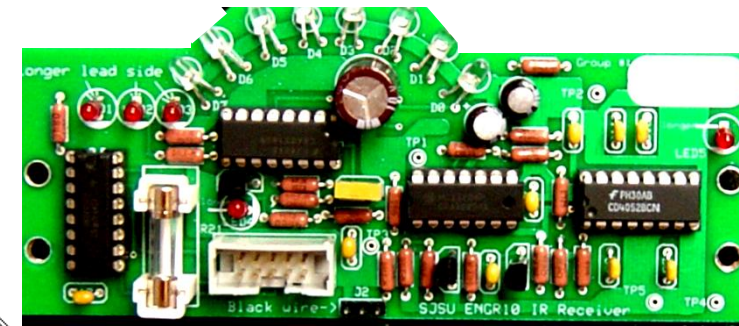


# Robot Project - The IR board



ky

## Resistors



- |                     |                     |                     |
|---------------------|---------------------|---------------------|
| R1 = 68.1k $\Omega$ | R8 = 5.11k $\Omega$ | R15 = 1k $\Omega$   |
| R2 = 249k $\Omega$  | R9 = 82.5k $\Omega$ | R16 = 100 $\Omega$  |
| R3 = 2.8k $\Omega$  | R10 = 10k $\Omega$  | R17 = 2.8k $\Omega$ |
| R4 = 10k $\Omega$   | R11 = 10k $\Omega$  | R18 = 2.8k $\Omega$ |
| R5 = 10k $\Omega$   | R12 = 10k $\Omega$  | R19 = 2.8k $\Omega$ |
| R6 = 100k $\Omega$  | R13 = 10k $\Omega$  | R20 = 2.8k $\Omega$ |
| R7 = 8.06k $\Omega$ | R14 = 10k $\Omega$  |                     |

## Capacitors

Polarized (+,-)



Non-Polarized

- |                             |                              |
|-----------------------------|------------------------------|
| C1 = 10v 680 $\mu\text{F}$  | C12 = 103, .01 $\mu\text{F}$ |
| C2 = 10v 47 $\mu\text{F}$   | C13 = 104, .1 $\mu\text{F}$  |
| C3 = 474, .47 $\mu\text{F}$ | C14 = 104, .1 $\mu\text{F}$  |
| C4 = 10v 47 $\mu\text{F}$   | C15 = 104, .1 $\mu\text{F}$  |
| C7 = 102, 1 nF              | C16 = 104, .1 $\mu\text{F}$  |
| C8 = 103, .01 $\mu\text{F}$ | C17 = 104, .1 $\mu\text{F}$  |
| C11 = 102, 1 nF             |                              |

## Transistors



- Q1 = 2N7000  
Q2 = 2N7000  
Q3 = 2N3906

## Infrared Detectors



8 - white color

## LEDs



5 - red color

## Integrated Circuits



- U1 = CD4051, 16-pin  
U2 = CD4052, 16-pin  
U3 = MC33204P, 14-pin  
U4 = CD4520, 16-pin